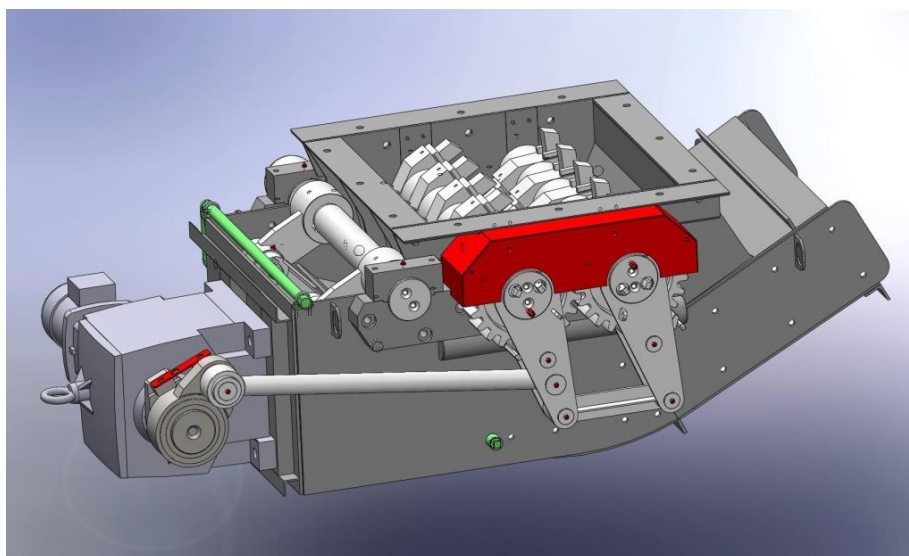


SLUG CRUSHER WITH A ROLL-OUT SHOVEL

Use:

The crusher is used for crushing, cooling and rolling out slag. The slag is crushed into small pieces using segments on the shafts that rotate against each other. The crushed slag falls into the water, where it cools.

After that, the slag is pushed out of the crusher by the shovel on the conveying device.



Characteristics:

The main part of the crusher is the steel bath filled with water, which also forms the closure, which that prevents the suction of unwanted air into the combustion chamber of the boiler. The height of the water level is maintained manually or automatically. The mechanism consists of two shafts with crushing segments and one shaft of the extrusion lever with the shovel. The crusher is powered by the electric motor with the gear box.

Spec.	Length / Width	Power kg/hr	Engine power in KW	Total weight	Water supply
VD 14	650 / 800	1400	0,8	1250	1/2"
VD 18	650 / 1000	1800	0,8	1360	1/2"
VD 30	800 / 800	up to 3000	3	2820	3/4"
VD 60	800/1500	up to 6000	3	3850	1

Water consumption is about 10% by weight of the slag. The amount of water is only informative and depends on the input slag temperature.

Options:

1. With crushing sprocket
2. Without crushing sprocket
3. With automatic water level of cooling water
4. No gear box